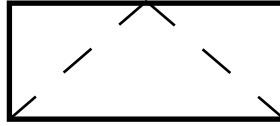




QUAKER
COMMERCIAL WINDOWS AND DOORS



Brighton Series
R-50
6" Frame Depth
Awning (Project-Out)

BRIGHTON SERIES AWNING (PROJECT-OUT)

The Quaker Brighton Series Awning window is ideal for a variety of applications including - Energy Efficient, Apartments, Assisted Living and Housing Authority.

FEATURES

- ◇ Commercial Framing System
 - 6" main frame
- ◇ Enhanced Design
 - Extruded clad exterior, pine interior
- ◇ Glazing
 - ¾" insulated glass
- ◇ Hardware
 - Single point locking system with fold-down handle to avoid interference with window blinds (Crank-out only)
 - Low profile cam handle (Push-out only)
- ◇ Screen
 - Extruded aluminum screen frame with BetterVue™ mesh (Crank-out only)
 - Wicket scret (Push-out only)

OPTIONS

- ◇ Available Configurations
 - Project-out awning
 - Push-out or Crank-out
- ◇ Muntin Choices
 - Internal or simulated divided lites available
- ◇ Limited travel hardware
- ◇ Nailing Fin
- ◇ Screen
 - Extruded aluminum screen frame with aluminum wire mesh
 - Extruded aluminum screen frame with sunscreen mesh
 - Extruded aluminum screen frame with stainless steel 0.009" thickness mesh
- ◇ Glazing
 - Capillary tubes
 - Argon gas
 - Wide variety of glazing, tinting and thickness options
- ◇ Panning & Trim Choices
 - Wide variety of panning, receptor and trim available
- ◇ Mulling
 - Wide variety of structural mulls

BENEFITS

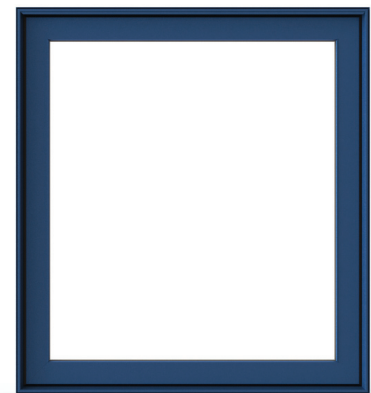
- ◇ The capacity to match exterior colors for unique project facades
- ◇ The ability to facilitate large sizes for taller and wider window openings

PERFORMANCE

- ◇ Structural & Thermal (test reports or thermal simulations available upon request)

Model	Awning (Project-Out)
AAMA/WDMA/CSA 101/I.S.2/A440-08 Rating	R-50
Structural Load P.S.F.	75.19
Air at 50 MPH (cfm/ft ²)	0.05
Water (No Penetration) P.S.F.	7.52
U-Value (with Low-E and Argon)	0.28-0.32
SHGC (with Low-E and Argon)	0.12-0.28

Window test size: 48" × 24"
Operating Force: 1.5 lbf (maintain motion)



Our products are tested to the standards of and certified by the American Architectural Manufacturer's Association, the National Fenestration Rating Council and the Window & Door Manufacturers Association.

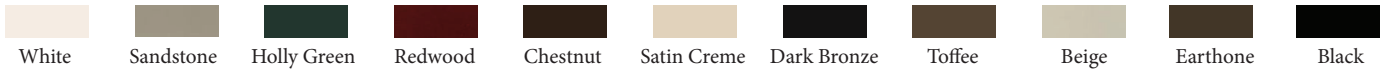


QUAKER
COMMERCIAL WINDOWS AND DOORS

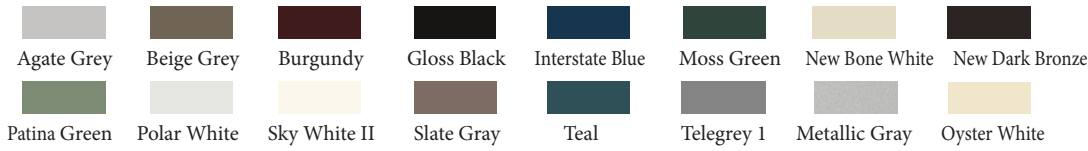
ARCHITECTURAL PAINT COATINGS AND FINISHES

◇ Baked on powder coat finish meets ANSA/AAMA 2604 specs and is available in unlimited colors

- 11 Popular Colors



- 16 Impressive Colors



- 7 Resemble Colors (painted finish resembling anodized)



- Unlimited Custom Colors

* Printed colors shown here may not accurately depict actual painted colors. Color samples are available upon request.

◇ ANSA/AAMA 2605 powder coat finishes

◇ AAMA 611-98 Class I clear and tinted anodized finishes

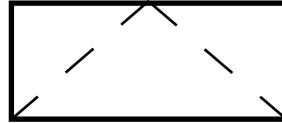
Our products are tested to the standards of and certified by the American Architectural Manufacturer's Association, the National Fenestration Rating Council and the Window & Door Manufacturers Association.



QUAKER
COMMERCIAL WINDOWS AND DOORS



QUAKER
COMMERCIAL WINDOWS AND DOORS

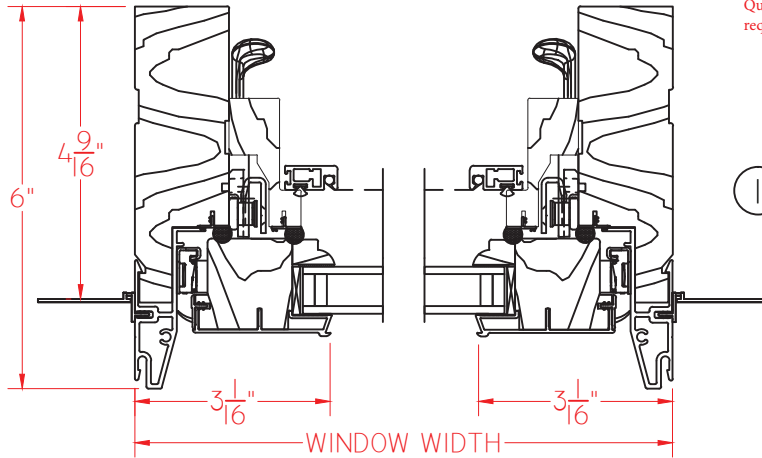


BRIGHTON
SERIES

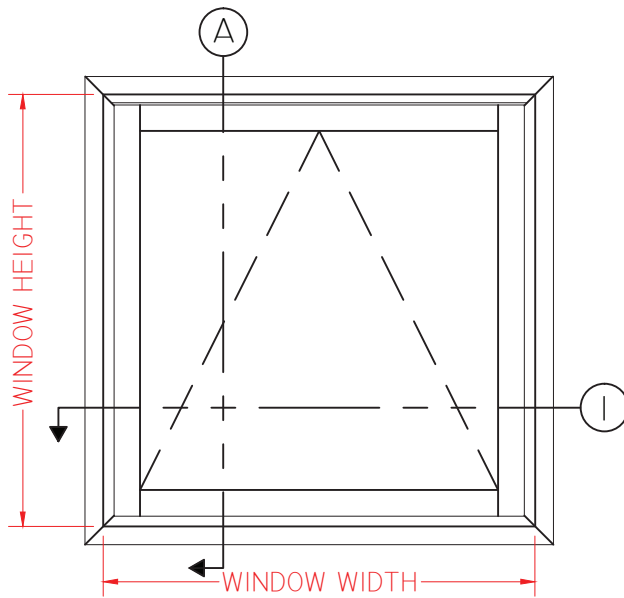
**Brighton Series
R-50
6" Frame Depth
Awning (Project-Out)**

BRIGHTON AWN

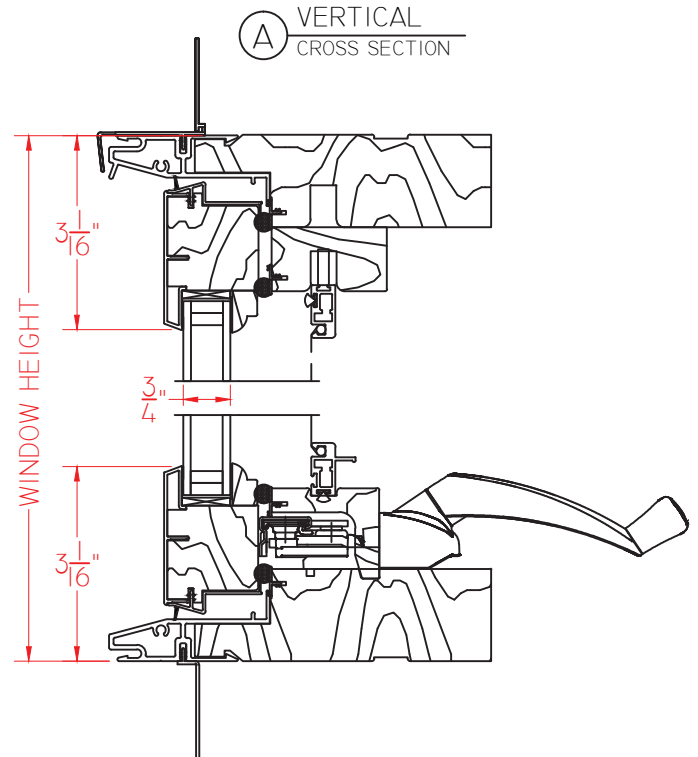
This document contains confidential and proprietary information intended for the private use of Quaker.
© 2016 Quaker Window Products Co., INC. All rights reserved.
Quaker reserves the right to change any/all designs without notice. Due to periodic re-certification requirements, result shown may vary.



① HORIZONTAL CROSS SECTION



ELEVATION SCALE $\frac{3}{4}" = 1'-0"$



BRIGHTON AWNING 12-29-2015 VERSION 3.0

SCALE 1:3

Our products are tested to the standards of and certified by the American Architectural Manufacturer's Association, the National Fenestration Rating Council and the Window & Door Manufacturers Association.



QUAKER
COMMERCIAL WINDOWS AND DOORS